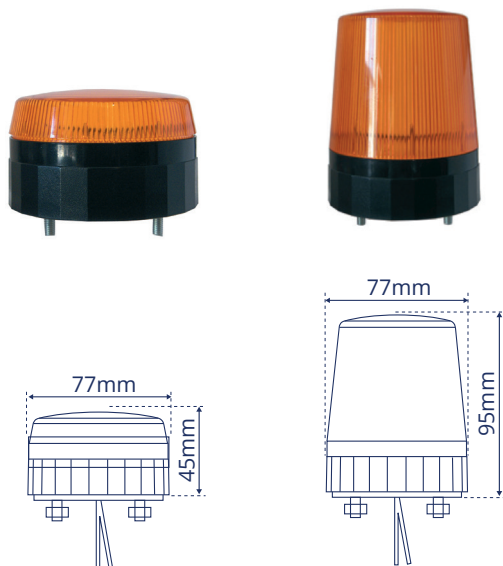


DLP & DLT Range



Main Features

- EMC approved
- Multi-voltage (10-100V)
- 2 & 5 Watt versions
- -30 to +50°C extreme temperature reliability
- Nominal flash rate: 75 per minute
- Single flash

Lens Colours Available

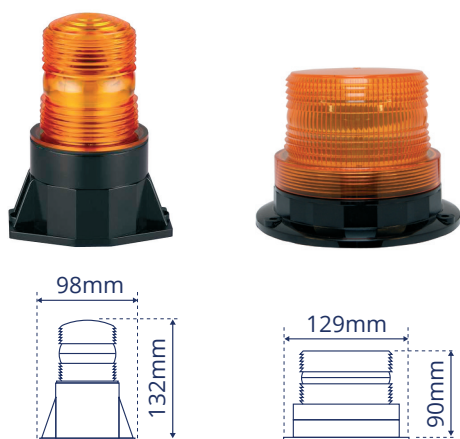


2W Model	DLP2MVA	DLT2MVA
5W Model	DLP5MVA	DLT5MVA
Fitting	2 Point	2 Point
Weight	0.2KG	0.2KG

CURRENT CONSUMPTION (A)

Voltage	12V	24V	48V	80V	100V
2W Models	0.18	0.16	0.12	0.09	0.07
5W Models	0.26	0.23	0.15	0.12	0.01

XCBMV Range



Main Features

- EMC approved
- Multi-voltage (10-80V)
- IP67 rated ingress protection
- -30 to +50°C extreme temperature reliability
- Nominal flash rate: 75 per minute

Lens Colours Available



Part Number	XCBMV2111	XCBMV1611
Fitting	2 Point	3 Point
Weight	0.5KG	0.5KG

CURRENT CONSUMPTION (A)

Voltage	12V	24V	48V	80V	100V
2W Models	0.17	0.15	0.12	0.09	0.07