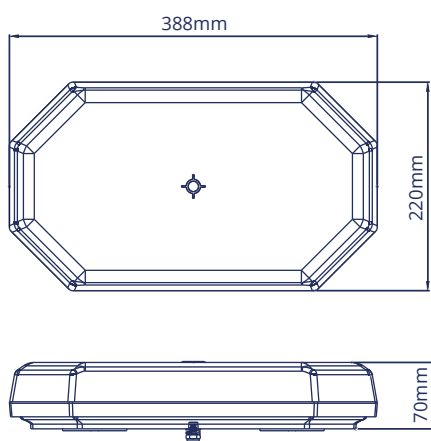


JUPITER

LED LIGHTBAR RANGE



Model shown: LAP1556AC/SP - 388mm Length



Main Features

- Multi-voltage (10-30V)
- IP67 rated ingress protection
- Clear polycarbonate lens
- 10 flash patterns
- Single flash pattern meets R65 approval
- Manufactured with 0.5W amber LEDs
- LAP1556AC/SP supplied with 4-point fixing option
- 70mph rated on magnetic LAP1556AC/MAG
- LAP28100AC / LAP37132AC /LAP45164AC supplied with adjustable fixing brackets and rubber feet
- Available in 4 different lengths

Model shown: LAP45164AC - 1148mm Length



Part Number	LED Colour	Dimensions (mm) (L) x (W) x (D)	Number of LEDs	LED Rating	Mounting	Current @ 12V / 24V
LAP1556AC/SP	Amber	388 x 220 x 70	56	0.5W	Single Point	2.3A / 1.2A
LAP1556AC/MAG	Amber	388 x 220 x 70	56	0.5W	Magnetic	2.3A / 1.2A
LAP28100AC	Amber	694 x 305 x 121*	100	0.5W	Four Point	4.2A / 2.1A
LAP37132AC	Amber	921 x 305 x 121*	132	0.5W	Four Point	5.5A / 2.8A
LAP45164AC	Amber	1148 x 305 x 121*	164	0.5W	Four Point	6.8A / 3.4A

*Including Rubber Fixing Feet and Brackets