

# ARMAPLATE

MADE IN THE UK



**Physical security products** for light commercial vehicles

**thieves locked out...**



# security locked in

---


Vehicle crime affects 2.5 million people and costs the UK economy around £3.5 billion a year.

---

The world of commercial transport is an easy target for the thief. Whether you are a fleet manager or a one man band, the “tools of your trade” are your transport, goods and equipment.

Without these you simply cannot do your job. In today’s world the thief will target your vehicle, tools, equipment and goods in the same way you would pick fruit from a tree.

Armaplate make the thief’s job extremely difficult, and we take great pride in producing bespoke vehicle security products which thieves just hate. In fact our products are such a deterrent to the thief that we offer a **lifetime guarantee\*** on them.

 Armaplate products are manufactured in the UK.



## Creating our own standards



Armaplate was formed by two former fleet managers who had experienced the repercussions of theft attacks on their commercial vehicles.

The Armaplate products were developed on the back of this experience and since 1996 Armaplate has gained a reputation for being the brand to rely on for robust and reliable van security.

Many blue-chip companies including British Gas, Tesco, DHL, United Utilities, Royal Mail and Iveco have relied on Armaplate security products, even requesting unique tailored designs.

*"I thought that there was nothing I could do to stop all these break-ins until I spoke to the advisors at Armaplate and fitted Blockades"*



Bolt-On Security with no visible fixings and manufactured from stainless-steel

No extra keys to manage and there are no moving parts to break or wear out

Security against the ever increasing opportunist theft attacks

# blockade

It takes seconds to break in! It only takes minutes to fit **blockade** protection. Saving you hours in time and money when your vehicle could be off the road due to theft or damage.

The Armaplate Blockade offers a high level of security against opportunist theft-attacks by protecting the vulnerable areas around the door handles. Thieves target these areas because it is a quick and simple means of gaining access to the lock mechanism and its linkages inside the door.

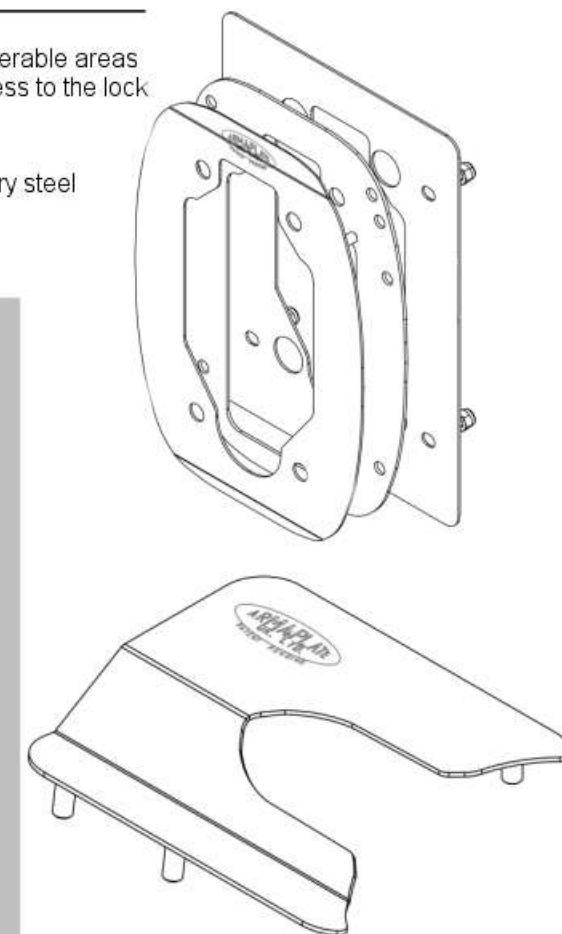
On the outside is a stainless-steel plate which is bolted onto the door and is further strengthened by secondary steel plates and/or strap washers to provide even more protection to internal parts which are vulnerable to attack.

The Blockade provides **24/7** protection and requires no driver-interaction - it's simply a case of lock and go! There are no extra keys to contend with and no moving parts to seize or stop working.

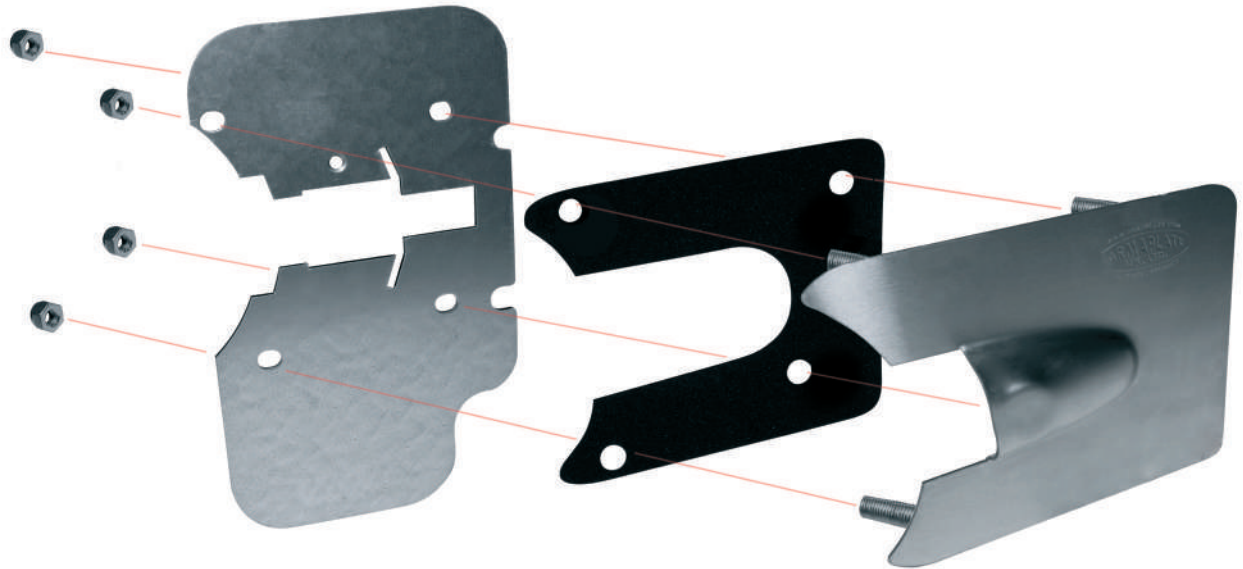
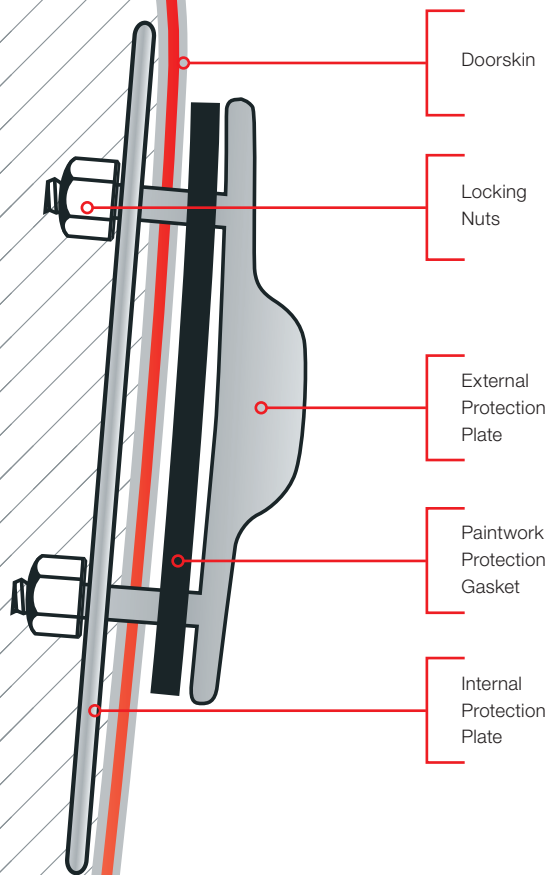
The Blockade is made here in the UK to ISO9001 standards using the very latest technology. Constructed from stainless-steel, it will never rust and spoil the look of your fleet.

It's available for a wide range of vehicles and we can arrange professional installation with the minimum disruption to your business. Give us a call and our Customer Service team will help to organise the protection of your valuable fleet.

**0845 838 0700**



*“Sentinel ‘**fit and forget**’ lock protection gives us peace of mind over the permanent security of our vehicles and contents!”*



**Sentinel**

Offering the ultimate in vehicle protection, the **sentinel** is installed by professional fitters. They can do the work at any location of your choice and at times which cause the least disruption to your business.

# sentinel *The professionals' choice for LCV lock security*

Ultra-high security for peace of mind, the **Armaplate Sentinel** sits at the very top of our range of products for door lock protection. It offers the ultimate in permanent security and yet it remains affordable and great value for money.

**fit and  
forget  
security**



The **Sentinel** is favoured by fleet operators who simply cannot afford to suffer the cost and inconvenience of theft attacks. They appreciate the effective simplicity of our products.

The system works by completely encasing the lock-barrel and surrounding areas and is bolted securely to the door. There are no moving parts and no keys to be lost or broken, **security is 24/7** and requires no activation by the driver!


The system has proved to be an extremely effective deterrent and is used by many 'blue chip' companies including divisions of the Metropolitan Police. Armaplate are so confident in the system that they offer a **lifetime guarantee**\*

In the event that a vehicle has already suffered a theft attack, the **Sentinel** can be used as an effective and permanent repair, in addition to preventing it happening again in the future.

The Sentinel is made from high-grade stainless steel which will never rust and spoil the appearance of your vehicles. Design and manufacturing is carried out using cutting-edge technology to **ISO9001** standards, right here in the UK.



Available for a wide range of popular vehicles and others are in constant development. For more information on this product, please call the **Armaplate** sales team on 0845 838 0700 and request your comprehensive info-pack and no-obligation quote to supply and fit **Sentinel** to your fleet vehicles.

 Armaplate products are manufactured in the UK.

LIFE TIME  
**GUARANTEE**



*“Choosing armacat to protect our vehicle fleet was the easiest decision I’ve had to make!”*

**Steel clamp**

The catalytic-converter is encased in a clamp, manufactured to ISO9001 in 1.5mm, 304 grade, brush finish stainless steel for high strength and rust-free durability.

**Steel cable**

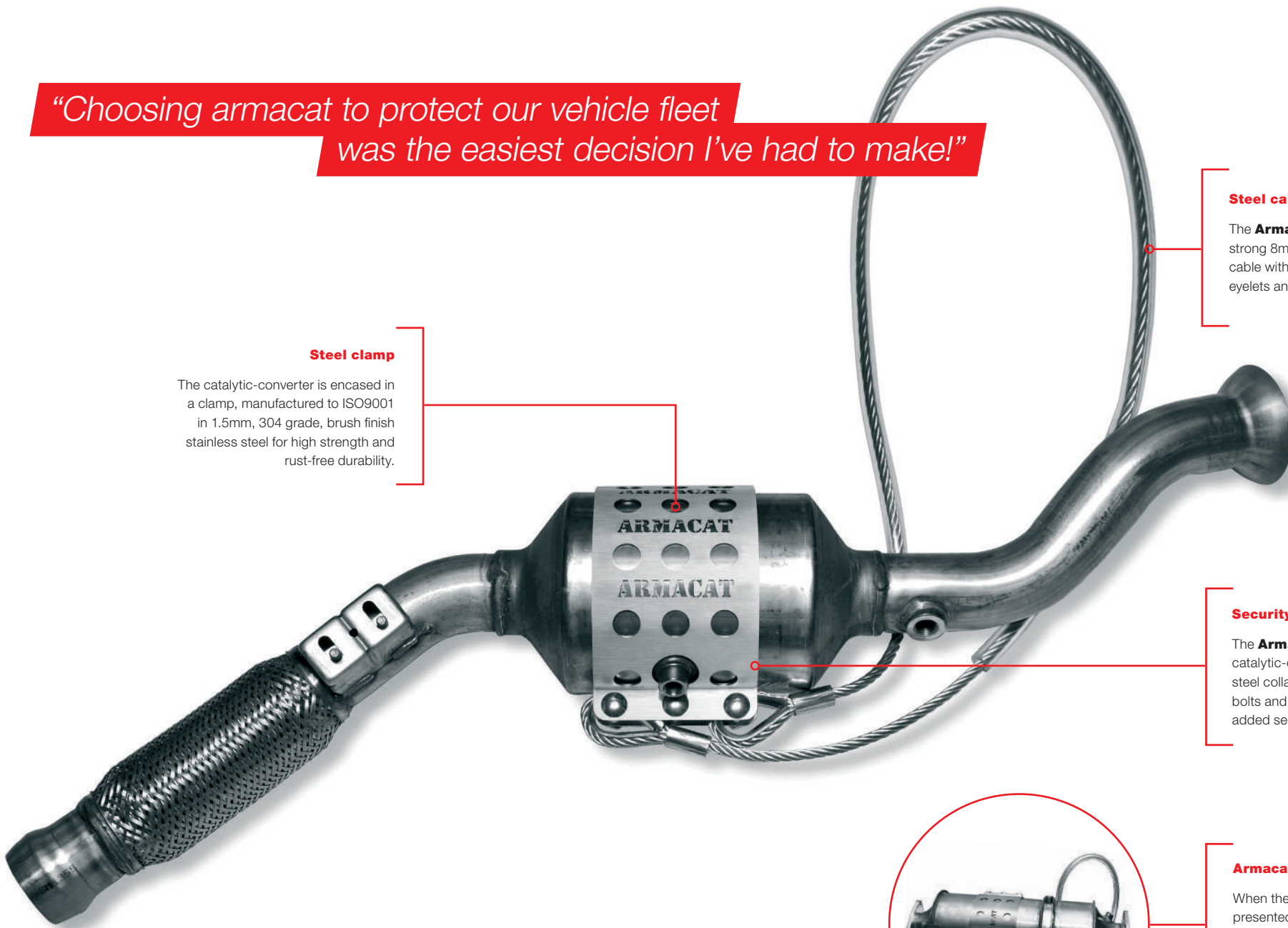
The **ArmaCat** makes use of an ultra strong 8mm diameter 7x19 stainless steel cable with stainless steel ferrules and eyelets and a high temperature PVC sleeve.

**Security fittings**

The **ArmaCat** is secured to the catalytic-converter using stainless-steel collars, high strength dome head bolts and tamper-proof shear nuts for added security.

**Armacat**

When the **ArmaCat** is installed, the thief is presented with a formidable barrier which can only be overcome with special tools and takes a considerable amount of time and effort (not to mention a whole lot of noise).






# armacat

The **ArmaCat** has just made catalytic-converter theft a whole lot harder!



The soaring prices of precious metals has led to a dramatic increase in the theft of catalytic-converters from vehicles. Replacements can cost up to £2,000, not to mention the downtime, inconvenience and potential loss of business. Protect yours now by fitting an **ArmaCat** to your vehicle.

The **ArmaCat** is the security solution you've been looking for. Fantastic value for money, simple to install and secure enough to prevent all but the most severe theft attacks. Catalytic-converters and DPF's can be stolen using the very simplest of tools and it typically **takes less than 60 seconds!** In fact, before installing **ArmaCat** one of our clients lost eight cats in just over four minutes!

 Armaplate products are manufactured in the UK.

LIFE TIME  
**GUARANTEE**

When the **ArmaCat** is installed, the thief is presented with a formidable barrier which can only be overcome with special tools and takes a considerable amount of time and effort (not to mention a whole lot of noise).

The **ArmaCat** works by encasing the catalytic-converter or DPF in a clamp, manufactured to ISO9001 made from hi-grade, brush finish stainless steel for high strength and rust-free durability.

The **ArmaCat** makes use of an ultra strong 8mm diameter 7x19 stainless steel cable with stainless steel eyelets and a high temperature PVC sleeve.

The system has proven to be so successful that some companies now refuse to lease vans unless **ArmaCat** is fitted. Armaplate are so confident in this system that they offer a **lifetime guarantee\***.



*“Perfect for fleet-operators who’s drivers frequently need to get in and out of the vehicle during the course of the day”*



# slamlocks

The perfect accompaniment to our Armaplate Sentinel security plates



SlamLocks are perfect for fleet-operators who's drivers frequently need to get in and out of the vehicle during the course of the day.

Courier companies would be a good example - their drivers are constantly stopping and starting and moving goods in and out of the cargo area, often forgetting to lock the door of the van.

Another major advantage of mechanical slamlocks is total control.

Electronic systems often have either global (all doors) or cargo area (side and rear) unlocking - this leaves the unrequired doors vulnerable until the auto-relock action operates.

Slamlocks integrate with the vehicle manufacturers' locking systems and when used in conjunction with Armaplate Sentinels provide what is without doubt the most cost-effective security package available.



*"I like the **'belt and brace'** approach to security and that's why I choose Armaplate Sentinels alongside a reliable deadlock"*

Thatcham<sup>®</sup>  
Quality Assured



# deadlocks

Combine a top quality deadlock with Armaplate and **no one's** coming in!



Armaplate's reputation in the security industry is second to none and their Sentinel plates have been securing fleets for over 18 years! Occasionally, one of our customers ask us for extra layers of security to compliment our traditional products and when vehicles are carrying high-value cargo, we recommend Armaplate Sentinel Ultra-High security plates alongside a top quality deadlock.



Because additional locks have moving parts, reliability was at the top of our list of priorities and the deadlocks we supply are made from the very finest materials and are **Thatcham Quality Assured**.

So now you can come to Armaplate for all your security needs!

A deadlock is a mechanical device fitted to a vehicle door. It operates by throwing a bolt into a receiver fitted to the opposing body section when operated by an external key. It's important to note that

deadlocks rely on the driver activating each lock on each door. If you feel that you can't rely on your drivers to do this, then we suggest you consider self-locking slamlocks detailed on pages 14-15 in our brochure.

Deadlocks put up a strong fight against opportunist thieves and when used in conjunction with Sentinels, the workload just becomes too great for the thief and he seeks easier pickings elsewhere.

It is important to have deadlocks installed by qualified engineers, since they require precision measuring and involve cutting holes in the bodywork using specialised tools. All our engineers have been professionally trained and can carry out your installations at any location of your choice and convenience.

All deadlock kits come with two keys, a full guarantee and comprehensive after-sales support.



# made in the UK


**Armaplate** products are built to a standard, not a price. Only high grade materials, state-of-the-art machinery and skilled engineers maintain the high standard of our products.

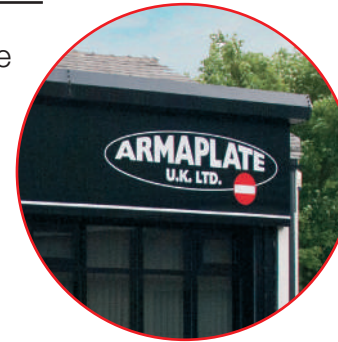
**Armaplate** are committed to producing only high quality products you can rely on. Our products are fully audited and comply with **ISO9001 standards** and are designed using only the latest CAD/CAM software, fully linked to state-of-the-art plant and machinery.

The materials we use in the manufacture of our products are of the highest grade. We don't believe in using poor quality materials because we know how fleet managers and small businesses feel when they are let down by poor quality components.

Our philosophy is that nothing but the best will do for our customers. That is why we make our products in the UK, where we can maintain strict control over quality.



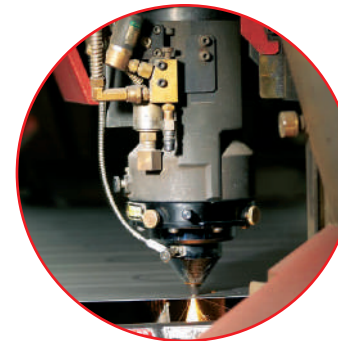
 Armaplate products are manufactured in the UK.



**Armaplate** products are made in the United Kingdom using high quality British sourced materials.



Our products go through a quality controlled procedure from our tooling, material grading to packaging to ensure they meet ISO9001 standards.



**Armaplate** use cutting edge tooling and laser cutting to ensure precision fit.

# service and support

---

Our manufacturing and superb build quality is backed up by professional service from start to finish. Sales, installation and support, quality service guaranteed!

---

**Armaplate** is committed to guaranteeing first-rate service and the highest quality products. Your guarantee of quality comes initially from the manufacturing of our products to fully audited ISO9001 standards. Although we utilise the very **latest technology** in all areas of the business, we retain our belief in the **old fashioned values** of customer service and support.

We strive to meet all customer requirements by focusing on winning and keeping their trust, encouraging their input on design and costings, adapting to meet the needs of their business and never failing to fulfil a promise. Our **installation engineers** are trained to a very high standard and share our belief in providing the highest levels of customer care.

We underpin our service with a **lifetime guarantee** on all our products (conditions apply).





## **Physical security products** for light commercial vehicles

Visit our website for more details about our services and product range [www.armacplate.com](http://www.armacplate.com)

Armaplate UK Ltd, Central Workshops (Off Longworth Road), Horwich, Bolton, Lancashire BL6 7DB.

**e** [sales@armacplate.com](mailto:sales@armacplate.com)    **t** **0845 838 0700**

